

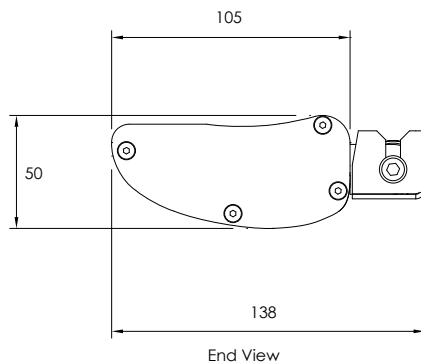
CLI - Linear LED module with integral gear

Nov 09



- Interior or exterior linear LED light 'grazing' system
- On board driver for simple installation
- Thermal feedback circuit, protects the system in high ambient temperatures
- Links together to form a continuous run
- Up to 24 metre run from one mains supply point
- Module is IP66 with connectors to IP68
- Maximum Ambient 50°C

CLI is a linear LED lighting bar using integral LED control gear, meaning that it can be wired directly to a mains supply of 100Vac to 265Vac. Thanks to its simple interconnections and low electrical load, several units can be wired together in a line from a single point. The on board LED driver technology features protective thermal feedback, preventing the LEDs being damaged due to excessive heat. Using the latest Luxeon Rebel LEDs combined with the onboard driver technology means that the CLI can be used up to 50°C Ambient. The system is single colour only at present & rated to IP66 with cable connections to IP68.



Detail of the IP68 cable connectors nested in the mounting bracket

CLI single colour module

Material: Aluminium alloy
 Finish: Clear Anodised 25 microns
 LED: Luxeon™ Rebel 350mA, 100 lm
 Lens: 8° sealed under a protective screen
 Supply voltage: 100 - 265Vac
 Temp: -10 to +50°C
 Cable length: 3 metres (starter module only)
 Options: Other lenses can be fitted for different applications, - 6, 10, 15, or 25°

Installation: Wall mounting bracket supplied
 Bracket designed to give +/- 15° adjustment & manage the cables and IP68 connectors
 Longer linking cables are available to join modules not butted end to end

Module lengths	No. of LEDs	Power consumption	Max no. of linked units
610mm	12	32.16W	40
1210mm	24	64.32W	20

CLI **XXXX** **XX** **XX**

RE - Resin sealed **UP** - unfilled - interior

W - white 5500K **NW** - neutral white 4100 **WW** - warm white 3500K **BL** - blue **RE** - red
GR - green **YE** - yellow

600 - 610mm long **1200** - 1210 mm long