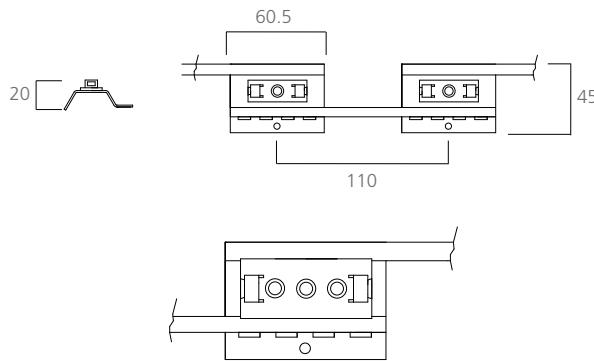




- Choice of LED colour
- Easy to install
- 9 LEDs per metre
- Flexible, form to shape on site
- Luxeon® 1W LED module

The high output of the Luxeon® LED sources, together with their small physical size makes them ideal for cornice and other concealed lighting applications. The LEDs are mounted in a line on an aluminium alloy track with nine LED modules per metre. This track is constructed so that it is easily cut to length or formed to a curve on site.



This shows the RGB link LED module overall dimensions as above

CLLL Module

Material	Aluminium alloy
Finish	Clear anodised
LED	350mA Luxeon®
Cable Length	3 metres
Power Supply	See page 59
Options	Single colour, RGB

System lengths - number of modules

Length	CLLL Max single colour or RGB
1000	9
1320	12

These lengths can be shortened on site



Example: CLLL1000RGB is a CL Link LED module with 9 RGB elements
 *Other colours are available to special order: Red, Green and Amber.

For drivers, connectors and control options see page 59.
 For typical wiring arrangements see page 61.